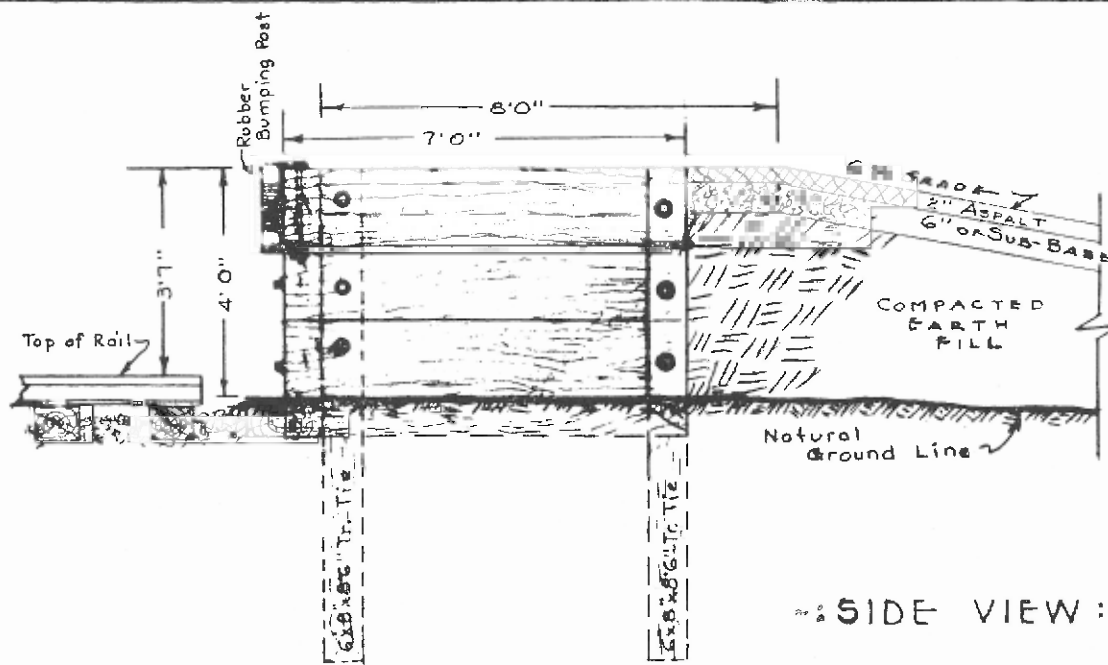
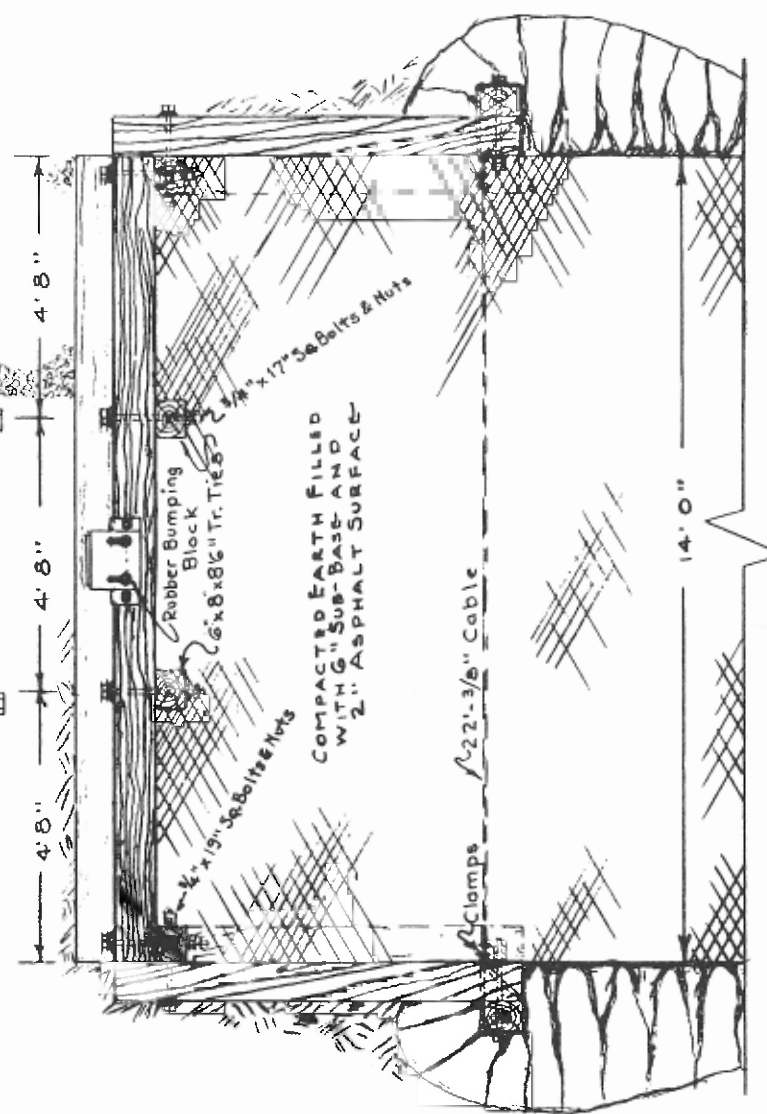


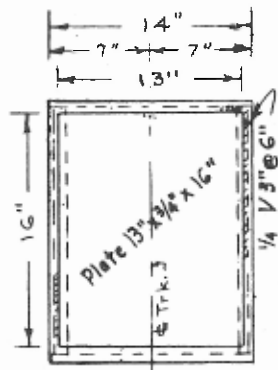
This is the first in our new **Standard Plans** series that will feature reprints of original Frisco standard plan designs. This installment is an October, 1961, Frisco design for a Dirt Filled Trailer-On-Flatcar-Ramp.



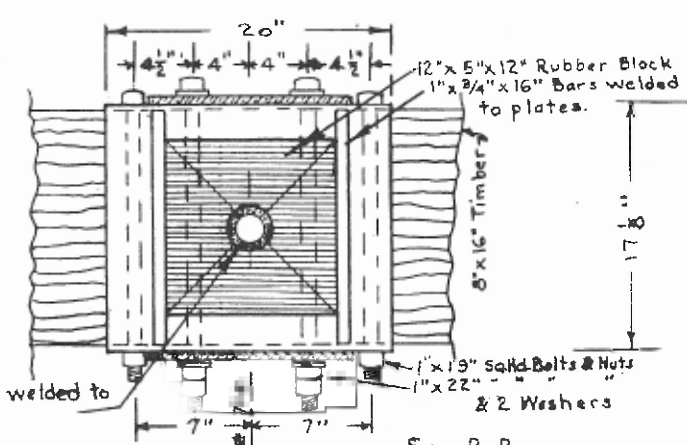
~: SIDE VIEW :~



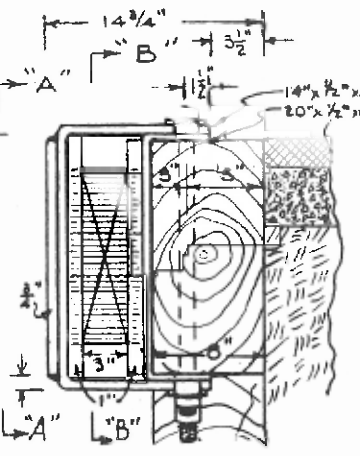
~: PLAN VIEW :~



SEC. A-A



~: RUBBER BUMPER BLOCK :~



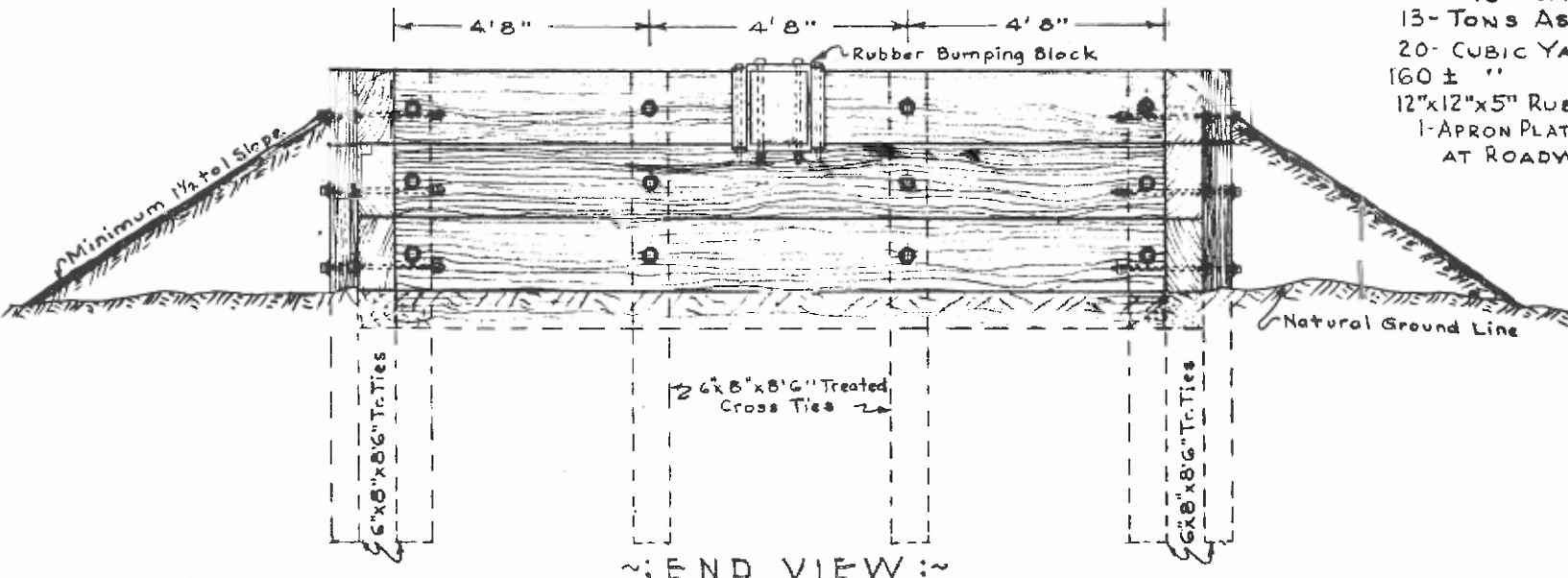
PLAN VIEW

~: BILL OF MATERIAL :~

- 8 Tr. 8"x16"x14' S.H. BR. Stringers 1195 Ft. BM.
- 6 Tr. SIDE TRACK TIES
- 18- 3/4" x 17" Sq. BOLTS WITH NUTS
- 6- 3/4" x 19" " " "
- 24- 3/4" FLAT WASHERS
- 24- O. G. " " "
- 24- LOCK NUTS
- 22 FT. 3/8" CABLE
- 4- 3/8" CABLE CLAMPS
- 13- TONS ASPHALT
- 20- CUBIC YARDS FINE CHAT
- 160 ± " " COMPACTED FILL
- 12"x12"x5" RUBBER BUMPER MADE AT RDWY. SHOP
- 1- APRON PLATE AND APRON HINGE PLATE MADE AT ROADWAY SHOP.

NOTES :-

The surface of Treated Timber wherever broken or cut in field shall be given two coats of hot Creosote oil. Bolt holes shall be filled with Creosote oil and bolts dipped in Creosote oil before placing.



~: END VIEW :~

ST. LOUIS - SAN FRANCISCO RAILWAY COMPANY
STANDARD
DIRT FILLED T.O.F.C. RAMP

OCTOBER 1961
OFFICE OF CHIEF ENGINEER SPRINGFIELD, MO.

APPROVED :~
[Signature]
CHIEF ENGINEER