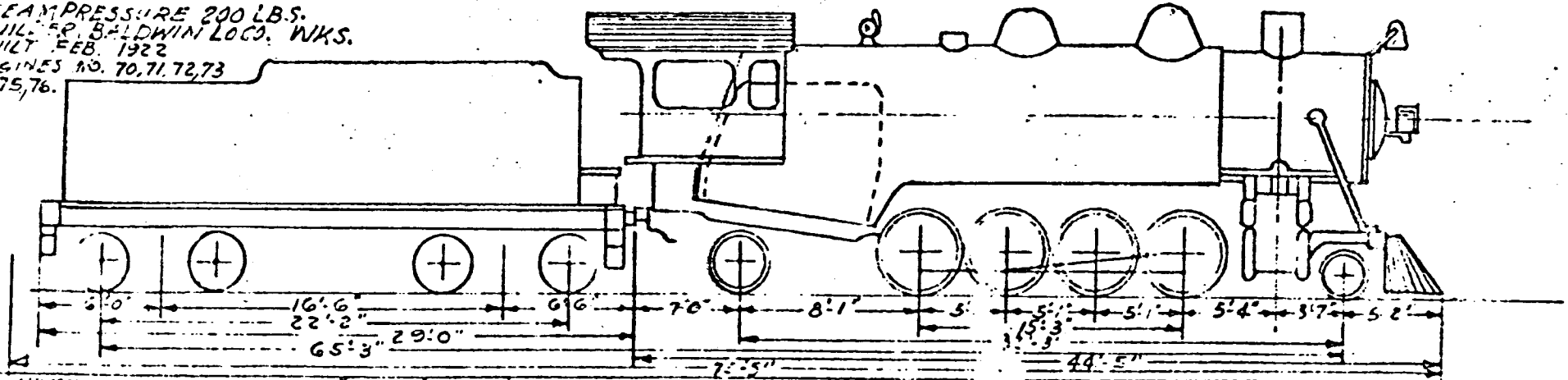


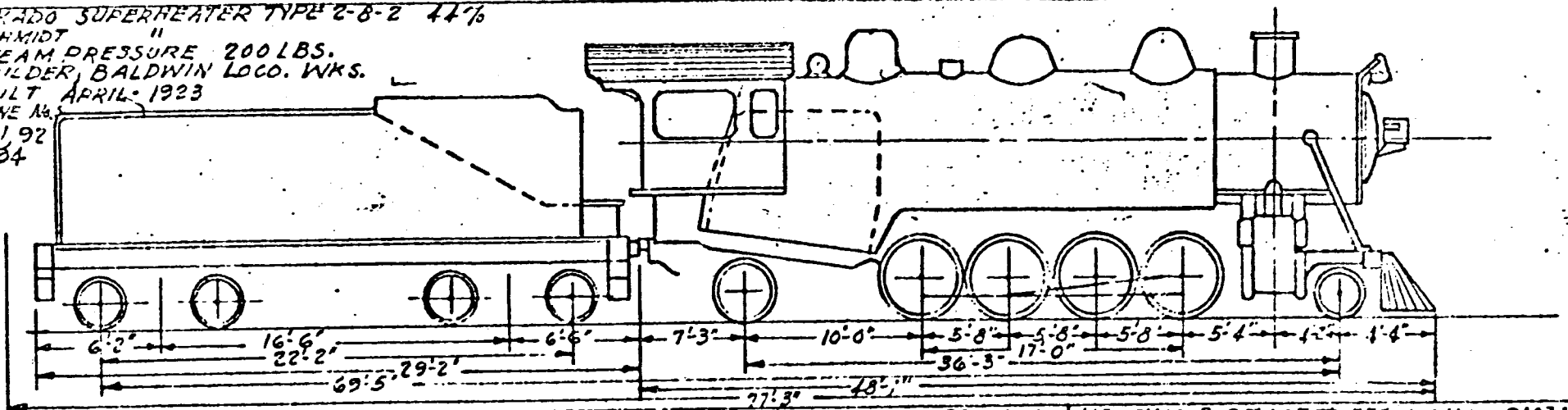
*DESCRIPTION OF LOCOMOTIVES  
K.O.G. RY. SYSTEM*

MIKADO SUPERHEATER TYPE 28-2  
 SCHMIDT " "  
 STEAM PRESSURE 200 LBS.  
 BUILT BY BALDWIN LOCO. WKS.  
 BUILT FEB. 1922  
 ENGINES NO. 70, 71, 72, 73  
 74, 75, 76.



CYLINDERS	22 DIA 28 STROKE	WEIGHT ON DRIVERS	15,500 LBS	HEATING SURFACE	1726 SQ. FT.
DIA DRIVING WHEELS	57"	" OF ENGINE	199500 "	" " "	(LG.) 647 "
" " " CENTERS	50"	" " TENDR (LOADED)	161000 "	" " " TOTAL	2566.5 "
" ENG. & TRUCK WHEEL	28"	" " " & ENGINE	360500 "	" " " FIREBOX	193.5 "
" TRAILING " "	40"	TRACTIVE POWER	37970 "	" " " SUPERHEATER	562 "
" TENDER " "	33"	FACTOR OF ADHESION	4.17	" " " KIND OF REVERSE GEAR	RAIL NET
KIND OF VALVE MOTION	SOUTHERN	GRATE AREA	46.8 SQ. FT.		

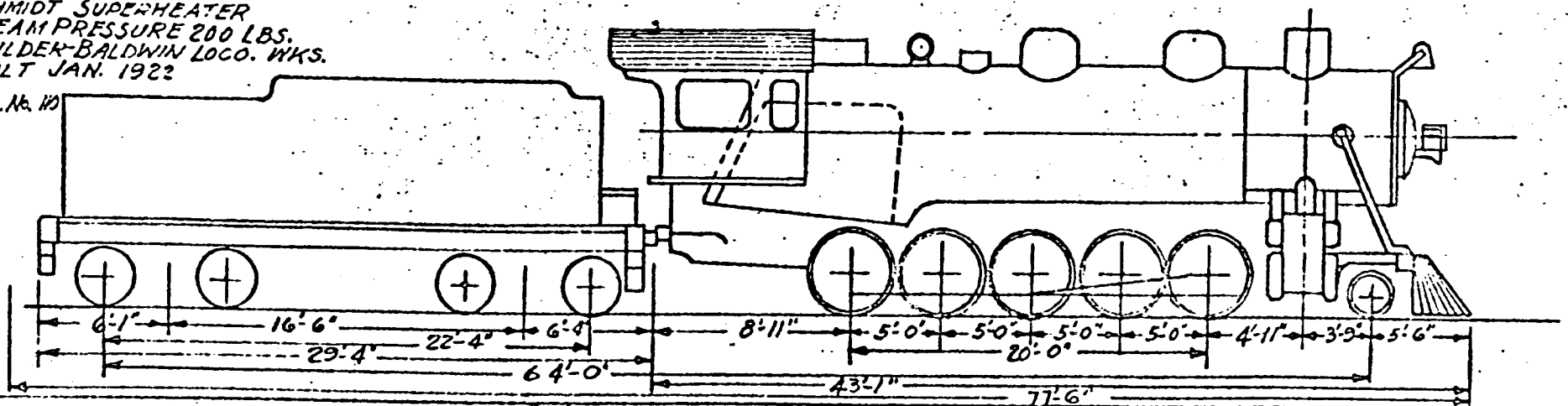
MIRADO SUPERHEATER TYPE 2-8-2 44%  
 SCHMIDT "  
 STEAM PRESSURE 200 LBS.  
 BUILDER, BALDWIN LOCO. WKS.  
 BUILT APRIL 1923  
 ENGINE NO.  
 90, 91, 92  
 93, 94



CYLINDERS	---	26" DIA. 30" STROKE	WEIGHT ON DRIVERS	---	221000 LBS	HEATING SURFACE TUBES SMALL	---	2407 sq ft
DIA. DRIVING WHEELS	---	63"	" OF ENGINE	---	292000 "	" " " LARGE	---	1090 "
" " " CENTERS	---	56"	" " TENDER (LOADED)	---	161000 "	" " FIREBOX & ARCH	---	55230 "
" ENGINE TRUCK WHEELS	---	33"	" " " & ENGINE	---	453000 "	" " TOTAL	---	3777 "
" TRAILING " "	---	43"	TRACTION POWER	---	54900	" " SUPERHEATER	---	882 "
" TENDER " "	---	33"	FACTOR OF ADHESION	---	4.04	KIND OF REVERSE GEAR	---	BARCO POWER
KIND OF VALVE MOTION	---	WALSCHAERTS	GRATE AREA	---	66.7 sq. ft			

DECAPED TYPE 0-5-2  
 SCHMIDT SUPERHEATER  
 STEAM PRESSURE 200 LBS.  
 BUILDER-BALDWIN LOCO. WKS.  
 BUILT JAN. 1922

ENG. No. 110

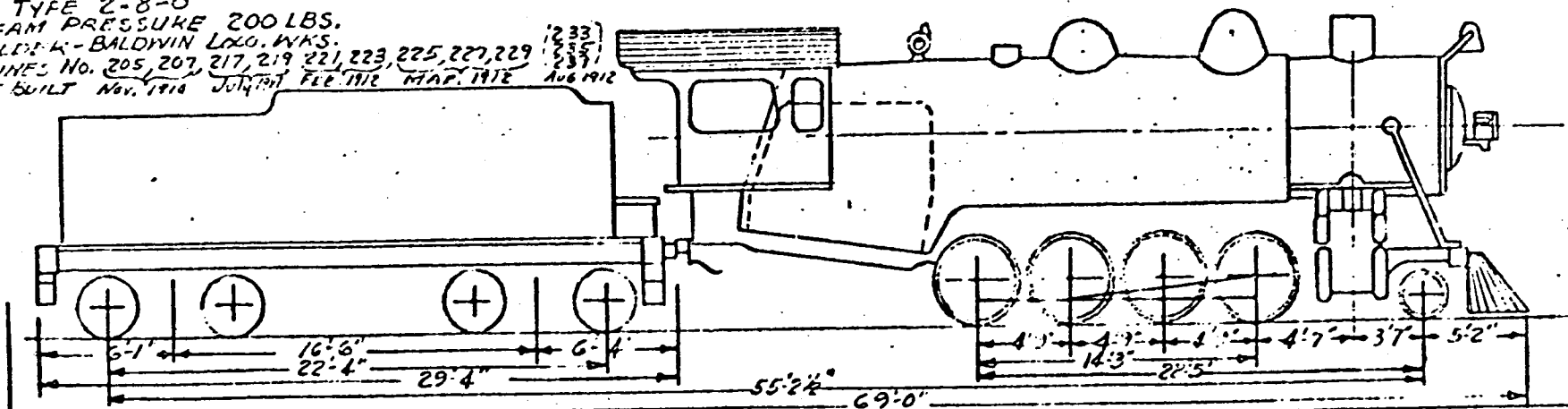


CYLINDERS --- 2 DIA. 28" STROKE  
 DIA. DRIVING WHEEL --- 56"  
 " " CENTERS --- 50"  
 " ENGINE TRUCK WHEELS --- 33"  
 " " " --- 33"  
 KIND OF VALVE MOTION --- WALSCHAERTS

WEIGHT ON DRIVERS --- 19000 LBS.  
 " OF ENGINE --- 21200 "  
 " " TENDER (LOADED) --- 161000 "  
 " " " ENGINE --- 373000 "  
 TRACTIVE POWER --- 46512 "  
 FACTOR OF ADHESION --- 4.08  
 GRATE AREA --- 54.3 SQ. FT.

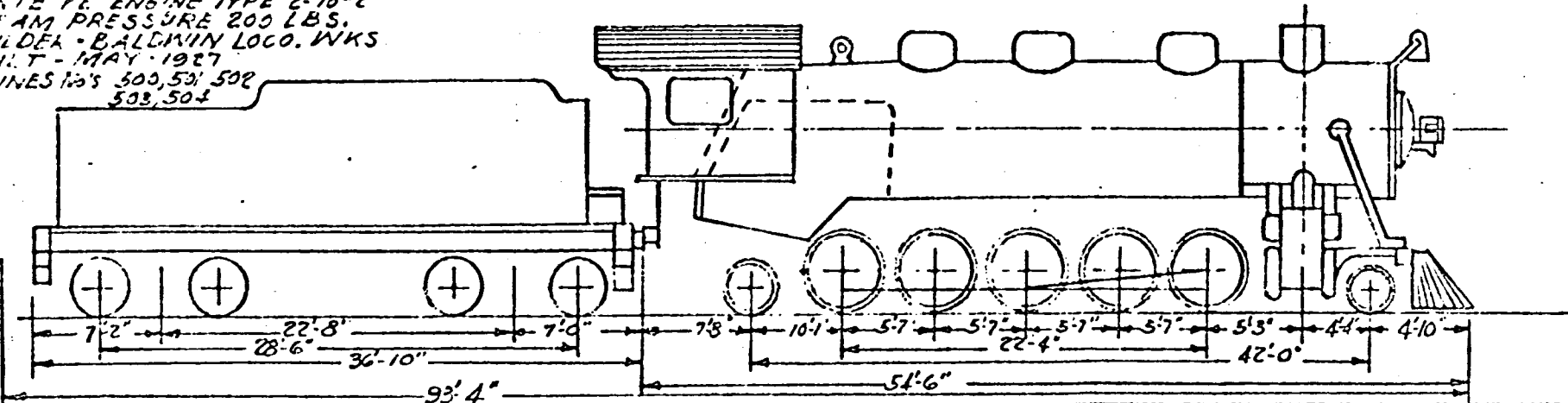
HEATING SURFACE TUBES --- 2146 SQ. FT.  
 " " FIREBOX --- 197 " "  
 " " TOTAL --- 2343 " "  
 " " SUPERHEATER --- 553 " "  
 KIND OF REVERSE GEAR --- BARCO POWER.

TYPE 2-8-0  
 STEAM PRESSURE 200 LBS.  
 BUILT BY - BALDWIN LOKO. WKS.  
 ENGINES No. 205, 207, 217, 219, 221, 223, 225, 227, 229, 233, 235  
 DATE BUILT Nov. 1914 JULY 1917 FEB. 1918 MAR. 1918 AUG. 1918



CYLINDERS-----	20" DIA 26" STROKE	WEIGHT ON DRIVERS-----	142,350 LBS.	HEATING SURFACE--TOTAL--	2241 Sq. Ft.
DIA. DRIVING WHEELS-----	52"	" OF ENGINE-----	158,550 "	" FIRE BOX-----	165 "
" " CENTERS-----	48"	" TENDER (LOADED)-----	130,000 "	KIND OF REVERSE GEAR---	RACONNET
" ENGINE TRUCK WHEEL-----	28"	" & ENGINE-----	288,550 "	SUPERHEATED ENGINES--219, 223, 225, 227, 229, 233	
" TENDER "-----	39"	TRACTIVE POWER-----	30,000 "	Not " "-----205, 207, 217, 221, 235, 239	
KIND OF VALVE MOTION-----	SOUTHERN	FACTOR OF ADHESION-----	4.6		
		GRATE AREA-----	32.8 Sq. Ft.		

SANTA FE ENGINE TYPE 2-10-2  
 STEAM PRESSURE 200 LBS.  
 BUILDER - BALDWIN LOCO. WKS  
 BUILT - MAY - 1927  
 ENGINES Nos 500, 501, 502  
 503, 504

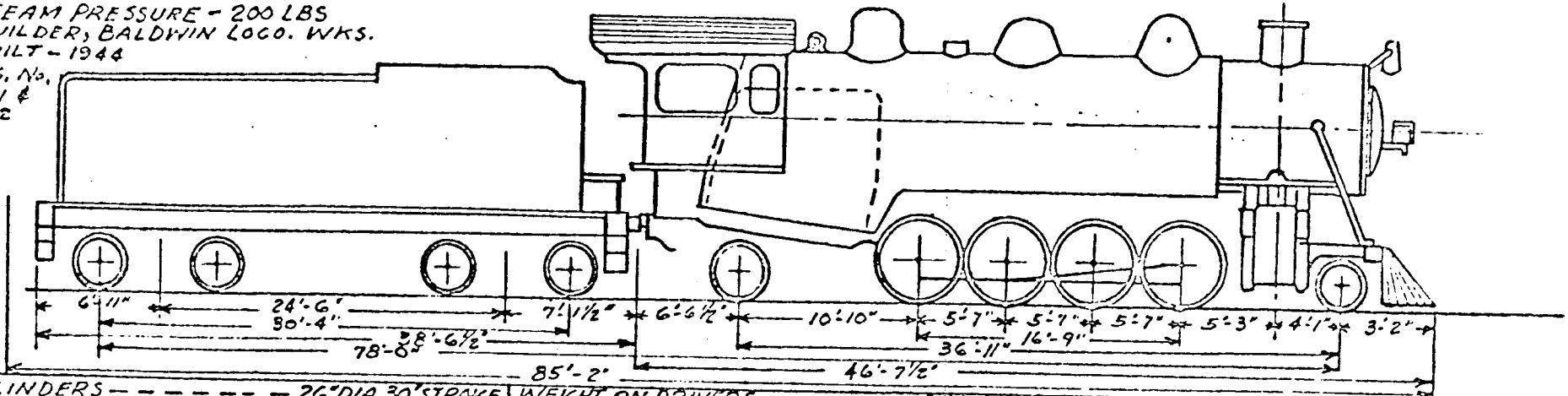


CYLINDERS ----- DIA 27" STROKE 30"	WEIGHT ON DRIVERS ----- 250000 lbs	HEATING SURFACE TUBES ----- 3737 SQ. FT.
DIA. DRIVING WHEELS ----- 63"	" OF ENGINE ----- 330000 "	" FIREBOX ----- 287 " "
" " " CENTERS ----- 56"	" " TENDER (LOADED) ----- 209000 "	" " TOTAL ----- 4113 " "
" ENGINE TRUCK WHEELS ----- 33"	" " " & ENGINE ----- 539000 "	" " COMBUSTION CH. ----- 89 " "
" TENDER " " ----- 53"	TRACTIVE POWER ----- 59000 "	" " SUPERHEATER ----- 952 " "
" TRAILING " " ----- 48"	FACTOR OF ADHESION ----- 4.24	KIND OF REVERSE GEAR ----- BARCO
KIND VALVE MOTION ----- WALSCHAERTS	GRATE AREA ----- 66.7 SQ. FT.	

TYPE 2-8-0

STEAM PRESSURE - 200 LBS  
 BUILDER, BALDWIN LOCO. WKS.  
 BUILT - 1944

ENS. No.  
 601 &  
 602



CYLINDERS ----- 26" DIA. 30" STROKE	WEIGHT ON DRIVERS ----- 223,500 LBS	HEATING SURFACE TUBES SMALL -- 2030 S.F.
DIA. DRIVING WHEELS ----- 63"	" OF ENGINE ----- 299,500 "	" " " LARGE -- 1192 "
" " CENTERS ----- 56"	" " TENDER (LOADED) ----- 226,000 "	" " " FIRE BOX ----- 200 "
" ENGINE TRUCK WHEELS ----- 33"	" " & ENGINE ----- 523,500 "	" " " TOTAL ----- 3562 "
" TRAILING " ----- 43"	TRACTIVE POWER ----- 54,800 "	" " " SUPERHEATER ----- 965 "
" TENDER " ----- 33"	FACTOR OF ADHESION ----- 4.02	KIND OF REVERSE GEAR -- BALDWIN PUYER
KIND OF VALVE MOTION -- WALSCHAERT	GRATE AREA ----- 66.7 S.F.	